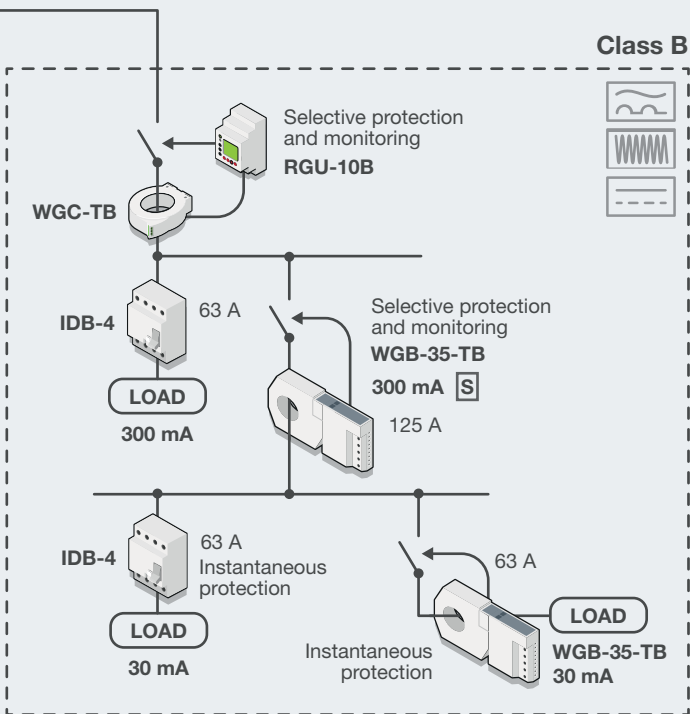
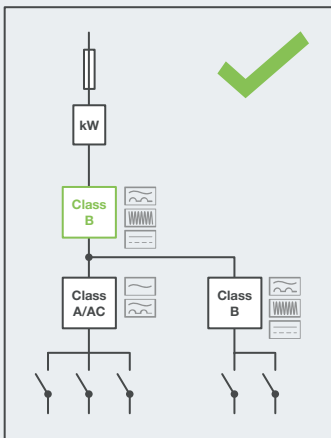
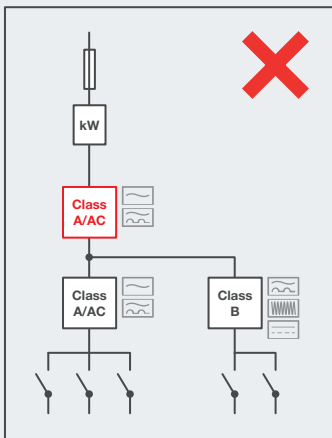


# Devices used in Type B installations



Correct installation of units with Type B protection.



# References

## RGU-10B

Type	Code	Sensitivity, $I_{\Delta n}$	Delay, $t_{\Delta}$
RGU-10B	P11951	0.1 ... 3 A	0.1 ... 10 s

## WGC-TB. Transformers associated with RGU-10B

Type	Code	Useful section	$I_{\Delta n}$ minimum	Weight (g)
WGS-20-TB	P11731	Ø 20 mm	0,1	80
WGC-25-TB	P11751	Ø 25 mm	0,1	86
WGC-35-TB	P11752	Ø 35 mm	0,1	126
WGC-55-TB	P11753	Ø 55 mm	0,3	180
WGC-80-TB	P11755	Ø 80 mm	0,5	321
WGC-110-TB	P11756	Ø 110 mm	0,5	440
WGC-140-TB	P11757	Ø 140 mm	0,5	790
WGC-180-TB	P11758	Ø 180 mm	0,5	1530

## IDB-4

Type	Code	Sensitivity, $I_{\Delta n}$	$I_n$
IDB-4 4P-40A-30mA	P17221	30 mA	40 A
IDB-4 4P-40A-300mA	P17222	300 mA	40 A
IDB-4 4P-63A-30mA	P17231	30 mA	63 A
IDB-4 4P-63A-300mA	P17232	300 mA	63 A

## WGB-35-TB

Type	Code	Sensitivity, $I_{\Delta n}$	Delay
WGB-35-TB 030	P16111	30 mA	INS
WGB-35-TB 300	P16121	300 mA	INS
WGB-35-TB 300S	P16131	300 mA	SEL

[www.circuitor.com](http://www.circuitor.com)

CIRCUTOR, SA - Vial Sant Jordi, s/n  
08232 Viladecavalls (Barcelona) Spain  
Tel. (+34) 93 745 29 00 - Fax: (+34) 93 745 29 14  
[central@circuitor.com](mailto:central@circuitor.com)



@circuitor



[youtube.com/circuitoroficial](https://youtube.com/circuitoroficial)



[circuitor](https://in.circuitor.com)



# Type B



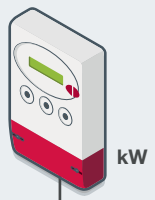
Full range of Type B  
earth leakage protection  
and monitoring devices

**Full protection and monitoring  
within your reach**



**CIRCUITOR**

Technology for energy efficiency



## Class A/AC



## Why install Type B solutions?

Installing Type B earth leakage protection units ensures the safety of individuals and correct functioning for alternating current (AC), direct current (DC) or mixed current (AC/DC) intensities up to frequencies of 1 kHz.

Type A and AC earth leakage protection units do not detect smooth residual direct currents. Moreover, Type A units become more sensitive when a pulsating earth leakage current is accompanied by an smooth direct current. In these cases, protection is not as effective and compromises the expected safety levels.

## Full range for total protection

All protection elements installed upstream must have the same or higher rating than those installed downstream, never lower, in order to guarantee the correct operation of the selective classification process. Therefore, if Type B is the maximum protection level of an element, a Type A or AC unit cannot be installed downstream.

CIRCUTOR's range of Type B earth leakage protection units covers all the protection levels in your installation.

# RGU-10B

Electronic earth leakage current protection and monitoring relay

## WGC-TB

Type B protection transformers.



Universal earth leakage current protection (type B)



Universal earth leakage current monitoring (type B)



Preventive control



Easy leakage diagnostics

## Technical features

Protection and monitoring	Type	B (IEC 60755)
	Sensitivity, $I_{\Delta n}$	0.1 A ... 3 A (according to WGC-TB)
	Delay, $t_{\Delta}$	0.1 s ... 10 s
	Earth leakage transformer	External, WGC TB series
	Test and Reset	Using buttons T and R
	Remote control	Remote Test and Reset ready
	Control of the display/control element	With 2 switched output relays, NO/NC
Electrical features	Auxiliary power supply	230 Vac $\pm$ 20% 50/60 Hz, 6 VA
	Output contacts	250 Vac, 6 A
	Operating temperature	-10...+50 °C
Mechanical features	Attachment	DIN Rail 46277 (EN 50022)
	Dimensions	3 modules
	Weight	256 g
	Protection degree	Terminals - IP 20, Trans-cabinet - IP41
	Standards	IEC 62020, IEC 60755, IEC 60947-2 annex M

# IDB-4

Type B RCCB,  
instantaneous 30 mA  
and 300 mA



Universal earth leakage current  
protection (type B)

- 30 mA – Protection for individuals
- 300 mA – Against fire hazards



RCCB

## Technical features

Earth leakage protection	Type	B (IEC 60755, IEC 62423)
	Sensitivity, $I_{\Delta n}$	30 / 300 mA
	Gauge, $I_n$	40/63 A
	Trip delay, $t_{\Delta}$	INSTantaneous or General
Electrical features	Operating voltage	230 / 400 Vac 50/60 Hz
	Assigned earth leakage protection cut off $I_{\Delta m}$	10 kA
	Assigned earth leakage protection cut off $I_m$	800 A
	Attachment	DIN Rail 46277 (EN 50022)
Mechanical features	Dimensions	4 modules (70 mm)
	Weight	425 g
	Protection degree	Terminals - IP 20, Trans-cabinet - IP 41
	Terminal dimensions	1-2.5 mm <sup>2</sup>
Standards	IEC 61008, IEC 62423, IEC 61008.1.2	

# WGB-35-TB

Transformer with  
built-in Type B  
earth leakage relay



Universal earth leakage current  
protection (type B)

- 30 mA - Protection for individuals
- 300 mA - Against fire hazards



Earth leakage relay



Positive safety

## Technical features

Earth leakage protection	Type	B (IEC 60755, IEC 62423)
	Sensitivity $I_{\Delta N}$	30 or 300 mA
	Gauge $I_n$	up to 125 A
	Trip delay $t_{\Delta}$	INSTantaneous (30 mA) or SElective (IEC 61008-1)
	Sensor	Built in earth leakage trans- former, 35 mm
	Circuit breaker to be asso- ciated	Contactors or circuit breaker with trigger coil
Control of the circuit breaker	Positive safety	
Electrical features	Operating voltage	230 Vac, 50/60 Hz
	Output contacts	250 Vac, 5 A, AC1
Mechanical features	Attachment	DIN Rail 46277 (EN 50022)
	Weight	380 g
	Protection degree	Terminals - IP 20, Trans-cabinet - IP 40
	Terminal dimensions	1-1.5 mm <sup>2</sup>
Standards	IEC 60755, IEC 62423, IEC 60947-2 annex M	

# UNIVERSAL

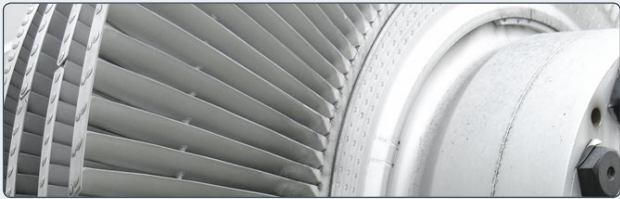
## Earth leakage protection and **monitoring**

### **Application**

For protection and monitoring of:



Computer units (UPS)



Speed drives



Photovoltaic installations